

Pro Angler Steering Update Kit Instructions

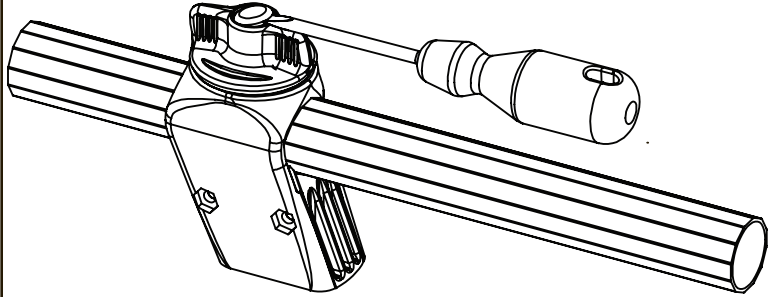
Parts List

- ① 2X Screw 10-32 x 2 1/2in.
- ② 2X Screw 1/4-20 x 2 1/2in.
- ③ Steering handle
- ④ 2X Steering riser
- ⑤ 2X Dome sticker

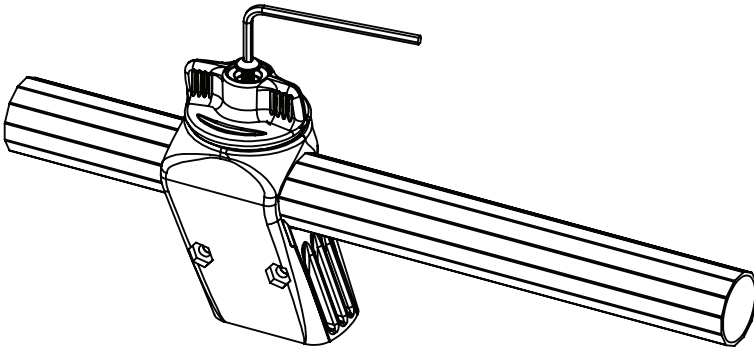
Tools needed:
Flathead screwdriver
Phillips® screwdriver
1/8" Allen® key

Note: Pro Anglers built after 2019 will have 1/4-20 threaded cranks and should use 1/4-20 screws.

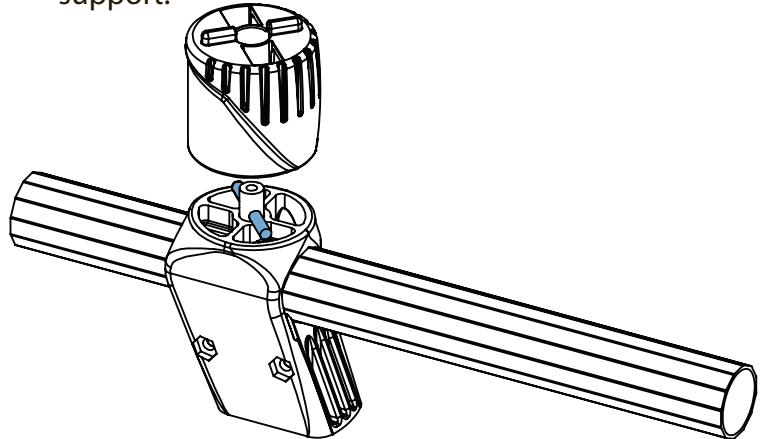
- ① Use a flathead screw driver or utility blade to pry off the Flying H sticker on the steering handle.



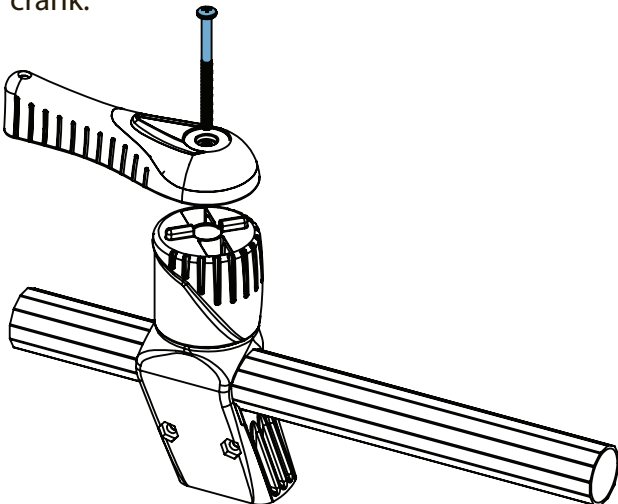
- ② Use an 1/8" Allen key to unthread the screw holding the steering handle to the crank. Remove the handle and set it aside.



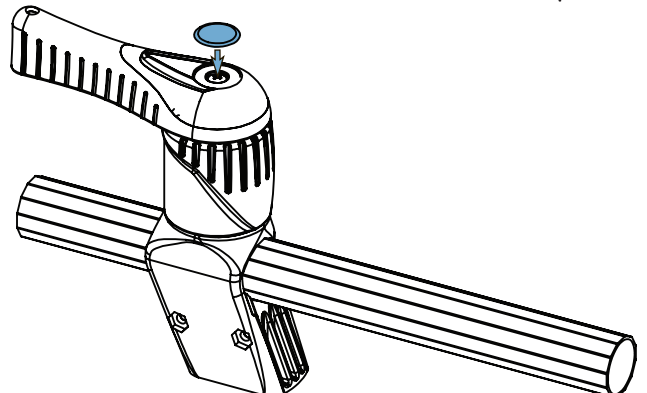
- ③ Mount the steering riser to the steering crank, making sure to align the slot in the bottom of the of the steering riser with the pin on the steering support.



- ④ Using the 10/32"x2 1/2" screw provided, fasten the steering handle through the riser to the steering crank.



- ⑤ Cover the screw head with one of the Flying H stickers provided.



- ⑥ Repeat steps 1-5 above to upgrade the steering on the opposite side.

Hobie

REV 200528
Part#84506021