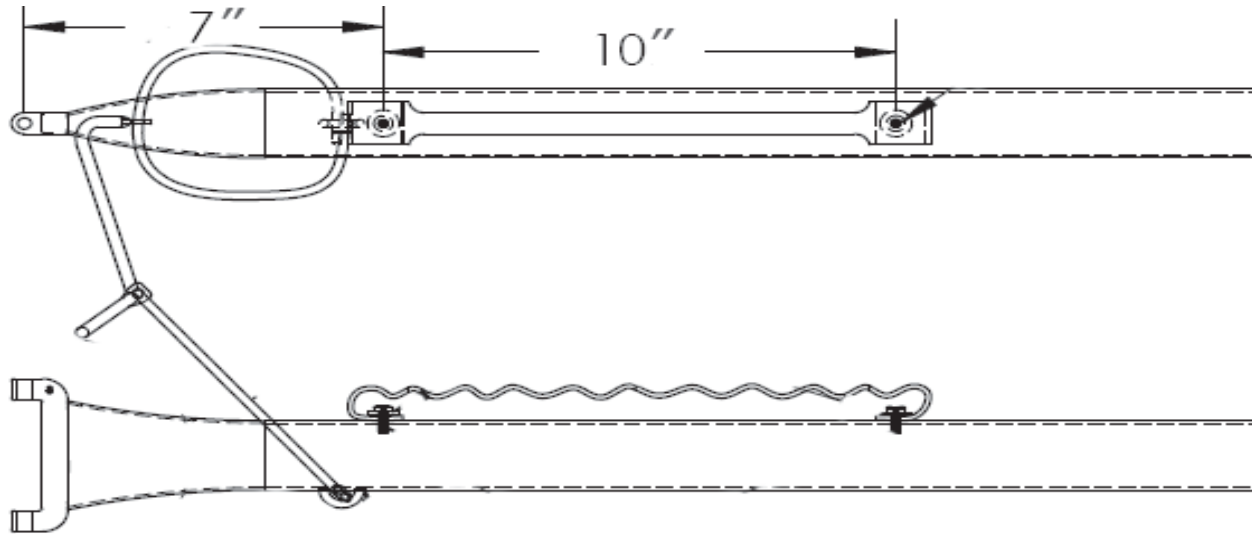


Directions for Installation

This kit can be installed on either aka (arm). The following drawings show installation on the right side. The paddle blade will tuck under the webbing on the forward aka.

Drill 3/16" holes at spacing shown. Place washers over the holes in the webbing, insert the rivets and then rivet down to the aka, folded over as shown

FORWARD



The paddle shaft will snap into the holder located at the rear aka, at the hinge point of the aka brace.

When installing the paddle clip, replace the aka brace fastener with the longer bolt and nut provided.

REAR

