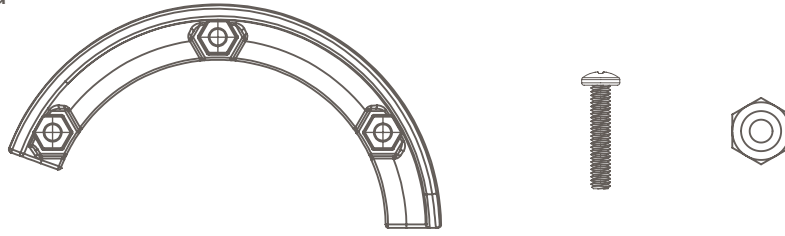


# Hobie Island furler line guide installation

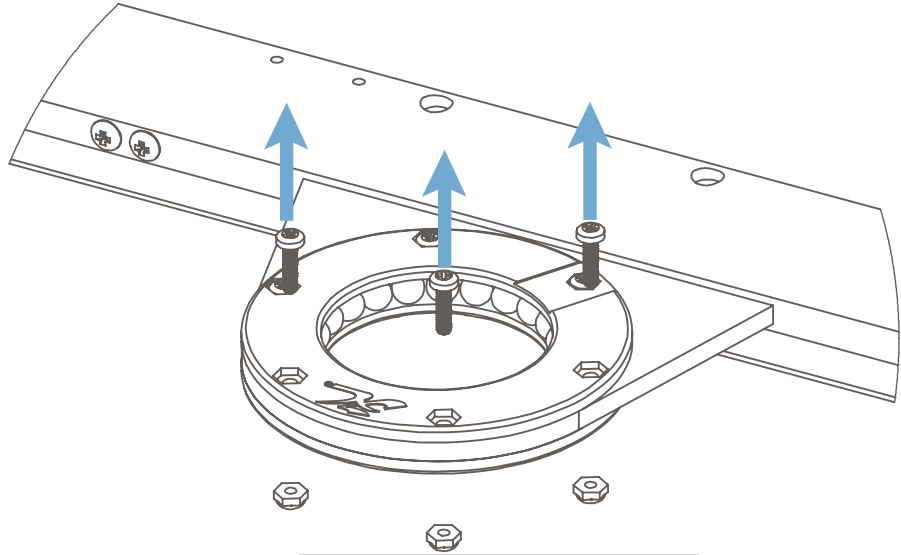
## Parts List

- ① Furler drum line guard
- ② 3 x Screw 8-32x7/8"
- ③ 3 x Nut 8-32



Tools needed:  
Phillips Screwdriver

- ① Remove the three screws from the bow and port side of the mast furler.



- ② Install the furler line guide, 7/8" screw and nuts.

