

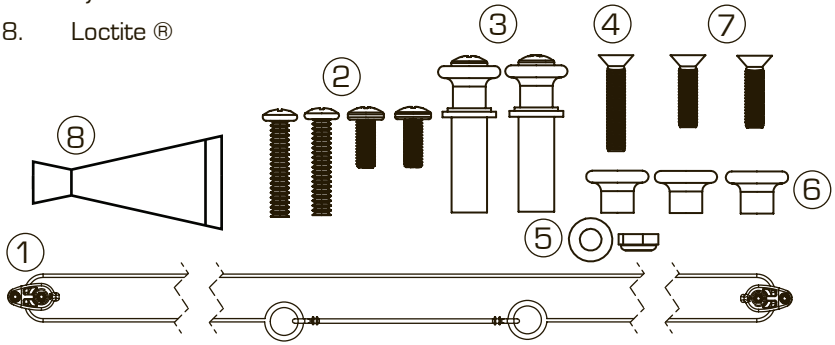
Hobie® Mirage® Pro Angler
Anchor Trolley Installation
Instructions



Please read through the instruction manual before using this product.

Parts

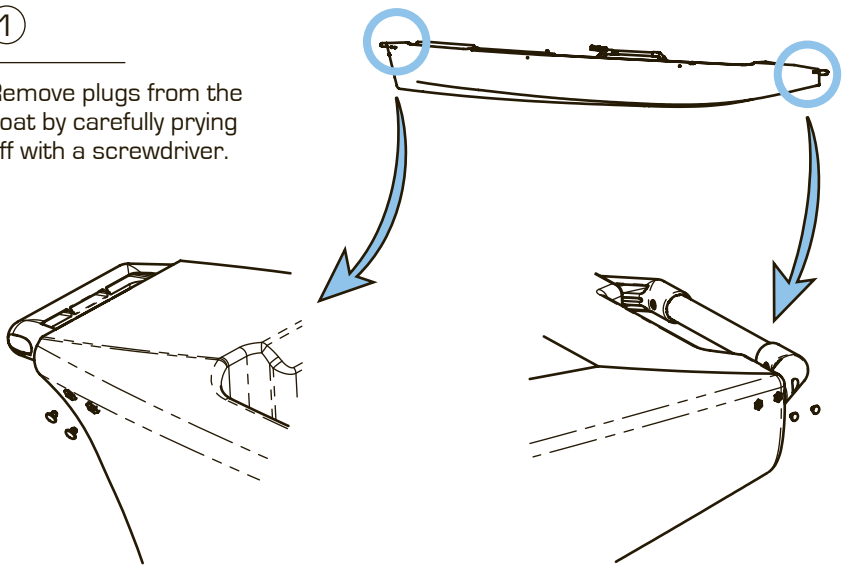
1. Trolley Assembly
2. Trolley Mounting Screws (Two 1/2" and Two 1" Screws)
3. Well Nut Assemblies
4. Mounting Board Screw
5. Mounting Board Washer and Nut
6. Eyelet Posts
7. Eyelet Post Screws
8. Loctite ®



This manual will show the anchor trolley kit being installed on the left hand side of the kayak, but it can be put on the right hand side if preferred.

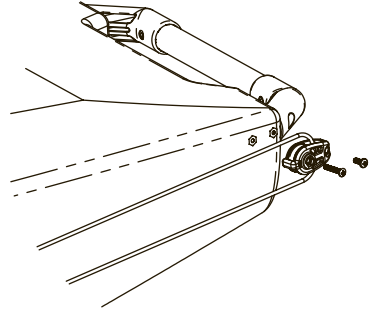
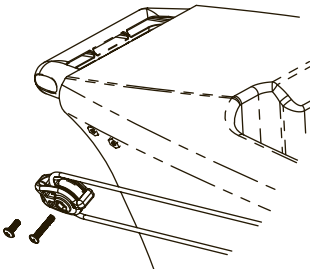
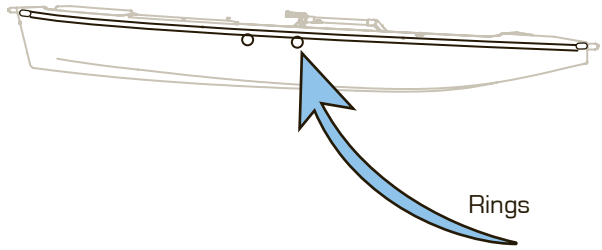
①

Remove plugs from the boat by carefully prying off with a screwdriver.



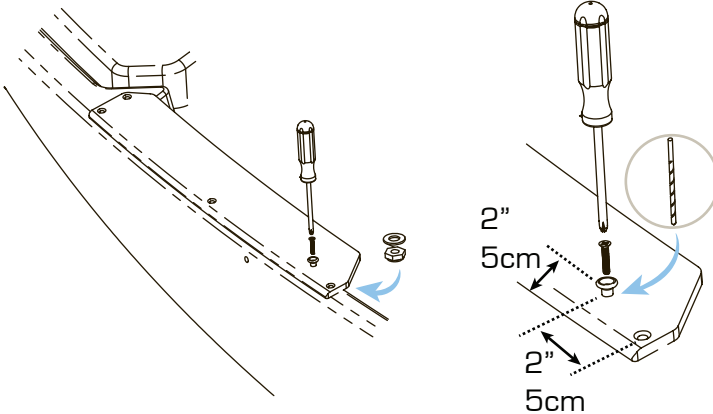
②

Install the trolley system to the boat using the 1" and 1/2" screws. Make sure that the rings and bungee are on the bottom. You can place a drop of Loctite on the screw threads for a more permanent installation.



③

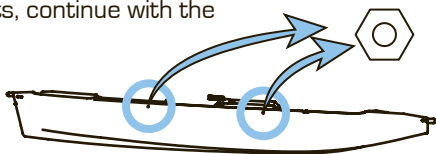
Thru-bolt one of the eyelet posts near the back of the mounting board using the provided screw, nut and washer. The mounting hole must be drilled using a 3/16" drill bit. Use the illustration below for reference.



4 | Installation

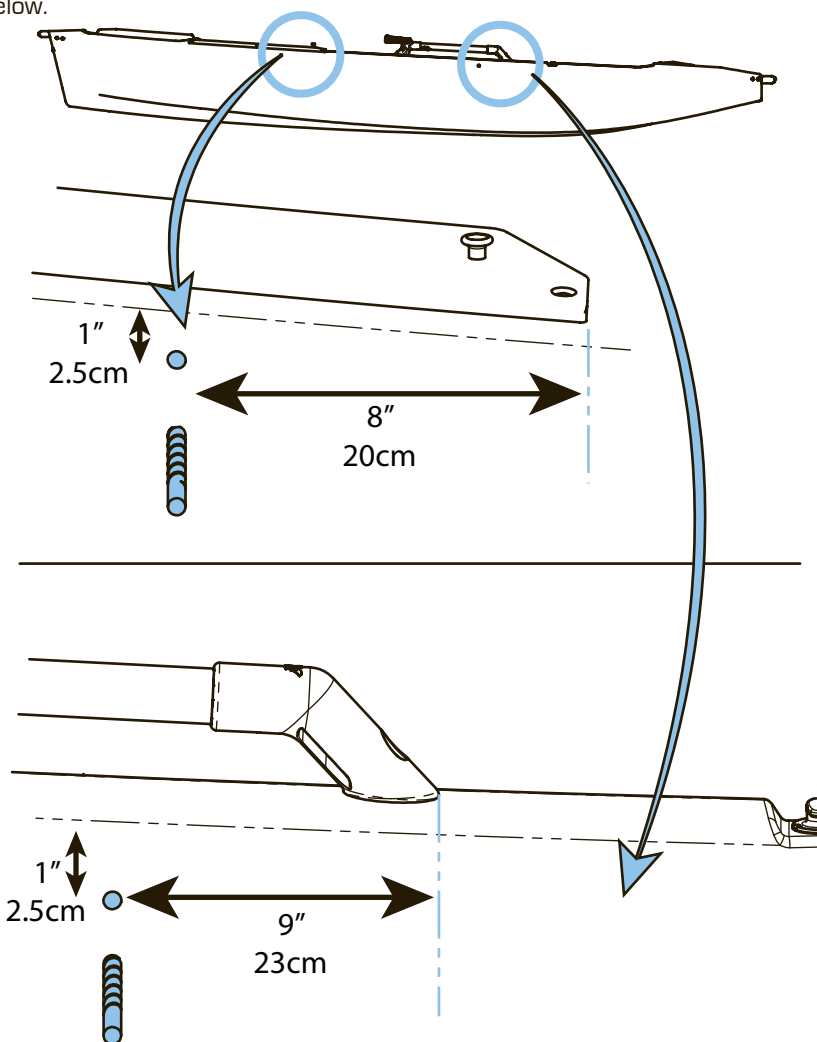


Check in the areas circled in the diagram to the right. If you have a hexagon brass piece exposed, pry off the plastic caps and skip to step 6A. If you don't have the brass parts, continue with the instructions below.



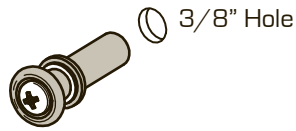
④

Drill two $\frac{3}{8}$ " holes per the diagram below.



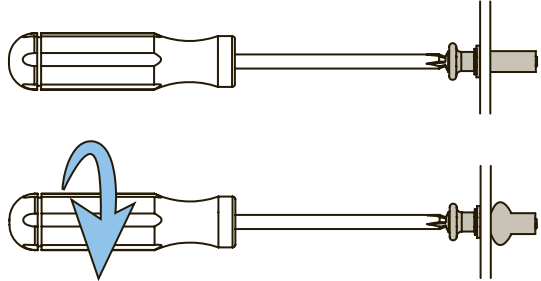
⑤

Install the well nut assemblies into the two 3/8" holes you drilled.



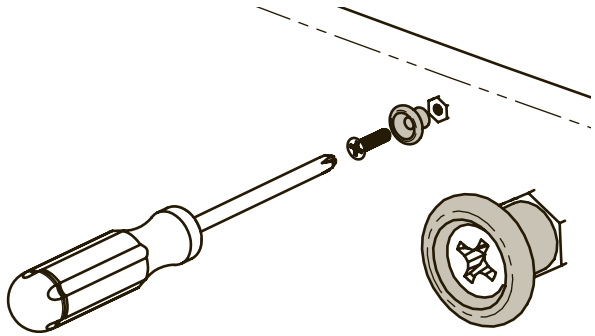
⑥

By turning the screw, the well nut expands to fasten the eyelet post and provide a watertight seal. Turn the screw until the eyelet post is firmly mounted. Continue to step 7.



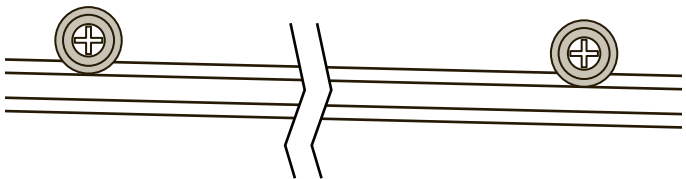
⑥A

If you have two molded inserts on the side of your boat, mount the eyelet posts right to the inserts. Place a drop of Loctite on the threads.



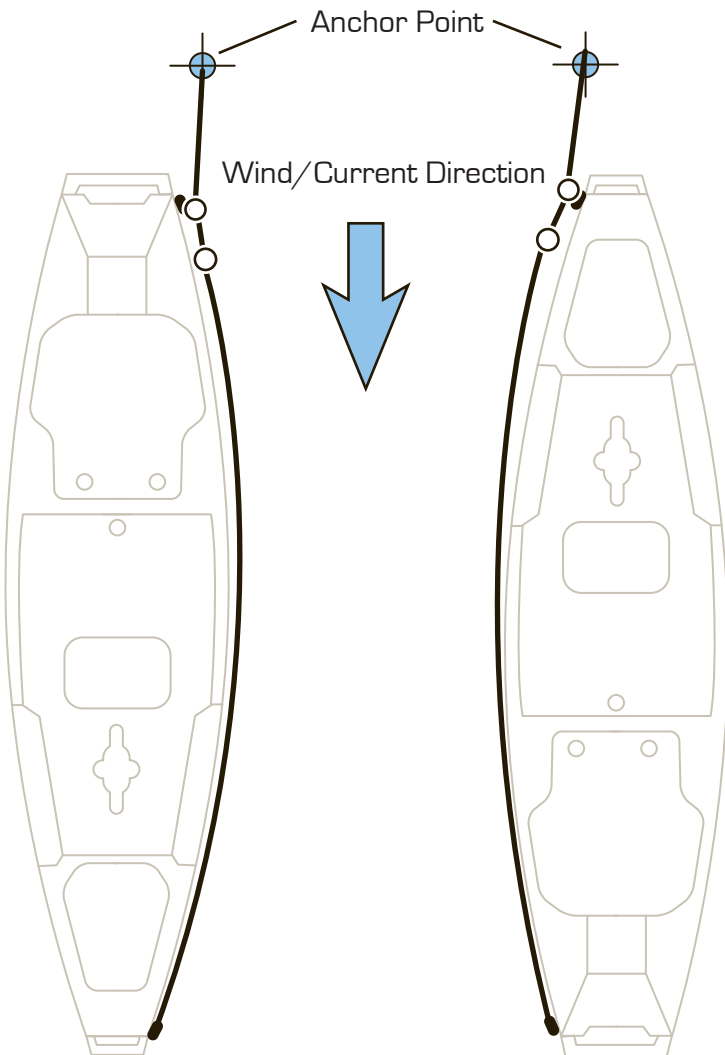
⑦

Use the mounted eyelet posts to tuck the trolley line underneath and keep it out of your way.

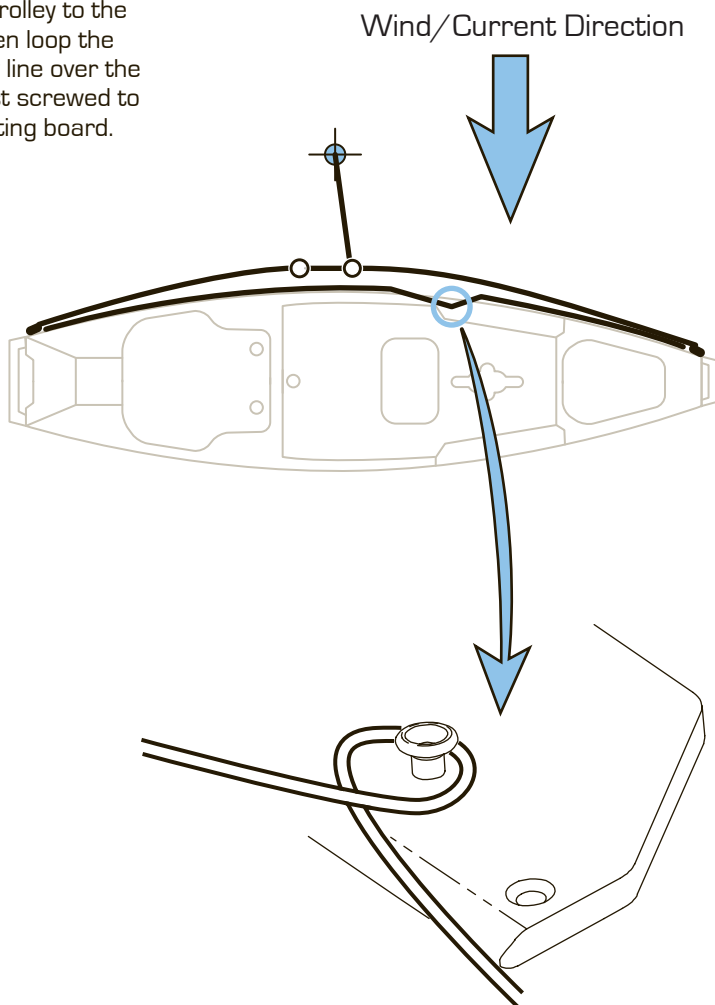


Attach your anchor point to the rear-most ring and move the trolley back to drift facing downstream/downwind.

Attach your anchor point to the forward-most ring and move the trolley forward to drift facing upstream/upwind.



To drift sideways, slide the trolley to the middle then loop the top trolley line over the eyelet post screwed to the mounting board.



Maintenance

Overtime, the line will stretch and slacken on the sides of the boat. Tighten up the lines periodically to keep the trolley system taut.

Hobie Cat Company
Oceanside, California, USA
1-800-HOBIE-49
hobiecat.com

Hobie Cat Australasia
Huskisson, New South Wales Australia
1-800-4-HOBIE
hobiecat.com.au

Hobie Kayak Europe
Stellendam, The Netherlands
+31(0)187 499 440
hobie-kayak.com



PN 72020061
REV 120625