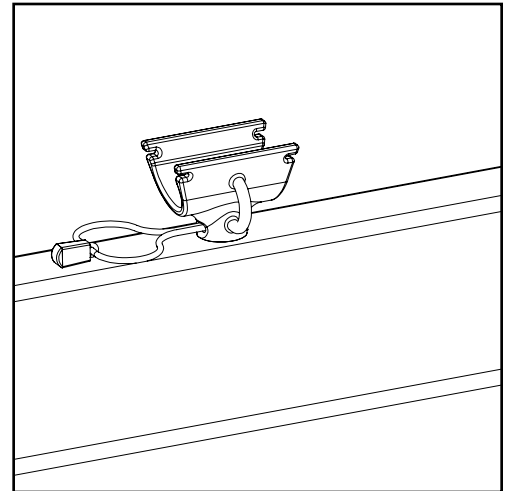
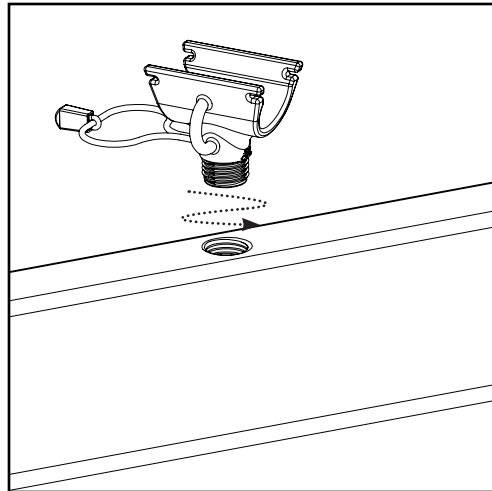
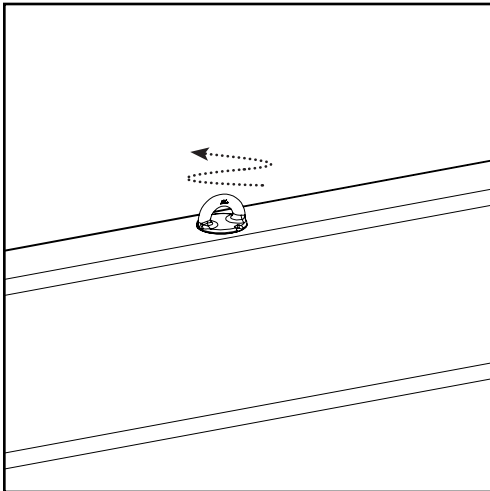
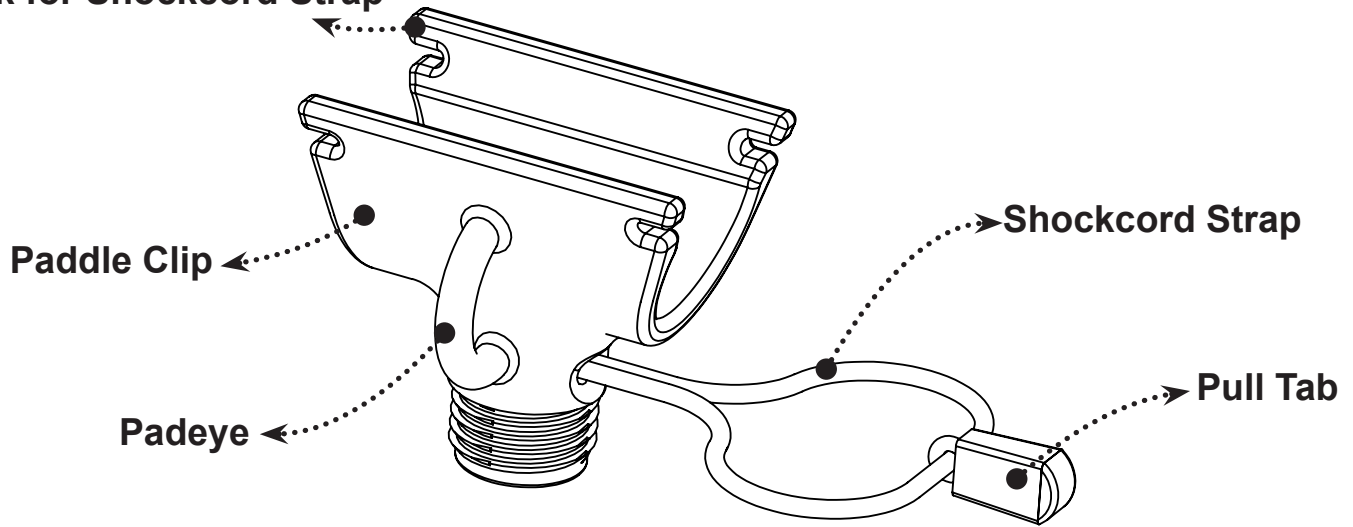
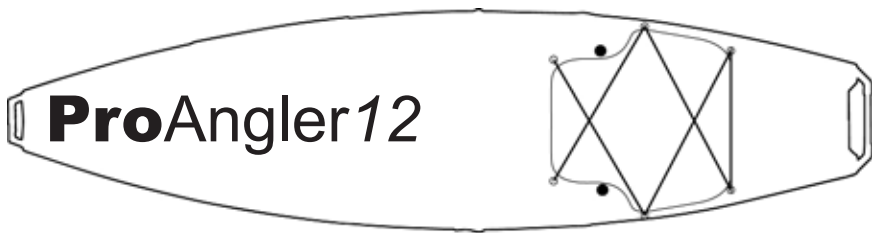


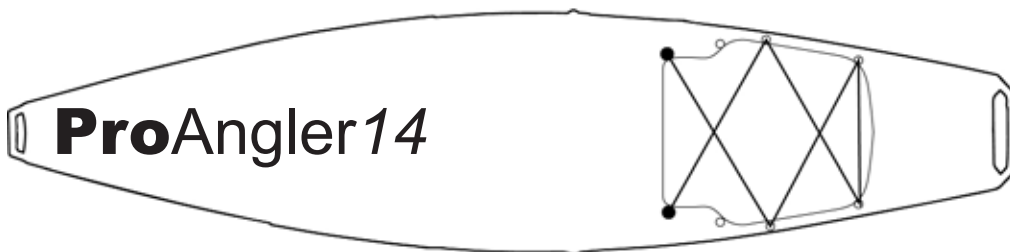
Hook for Shockcord Strap



Same thread as inserts issued with boat



● = Inserts with best results



Revised 03/14/13

Paddle can be either rested on top of the clip or locked in by exerting a small amount of force downward. Use the Shockcord strap to keep the paddle on board in rougher water.

