

For Kits 48030001 & 48040001

Note - Read all instruction before beginning installation.

1. Measure the keel centerline distance from hull to hull as shown in figure 1.1.
2. Remove rollers from the trailer.
3. Mount brackets to rear cross member of the trailer as shown in figure 3.1.

4. Install AFT cradles as shown in figure 4.1
Note - Your boat can also be used as a guide to help locate cradles front to back or side to side, place cradles on trailer cross member then place the boat on cradles, adjust and mark position.

5. Install FWD cradles as shown in figure 5.1.
Note - Arrows scribed in FWD cradle bases should be pointed FWD when installing the cradles.

Figure 1.1

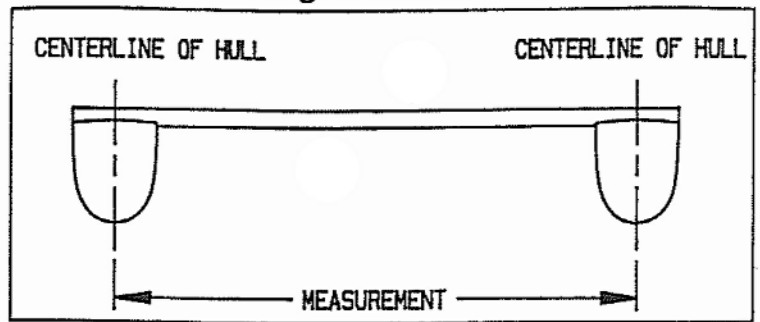


Figure 3.1

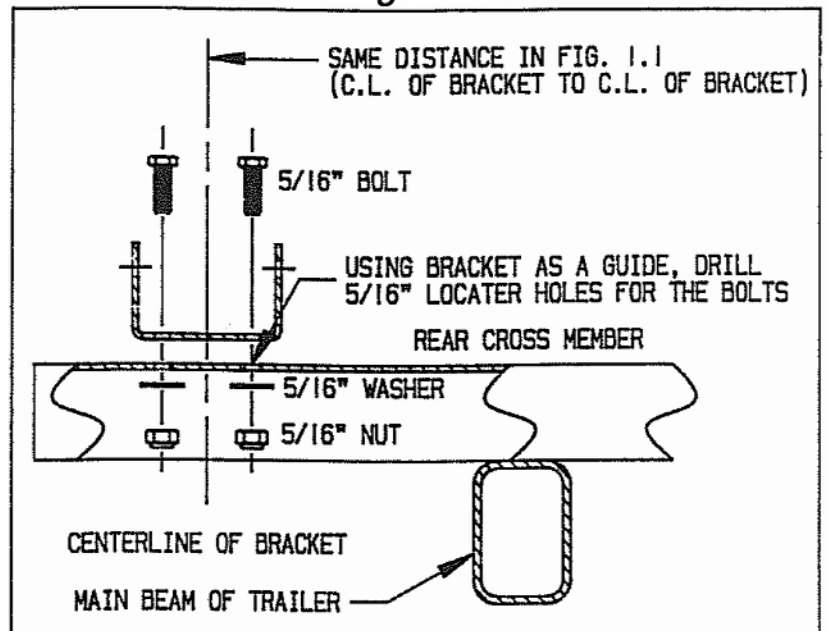


Figure 5.1

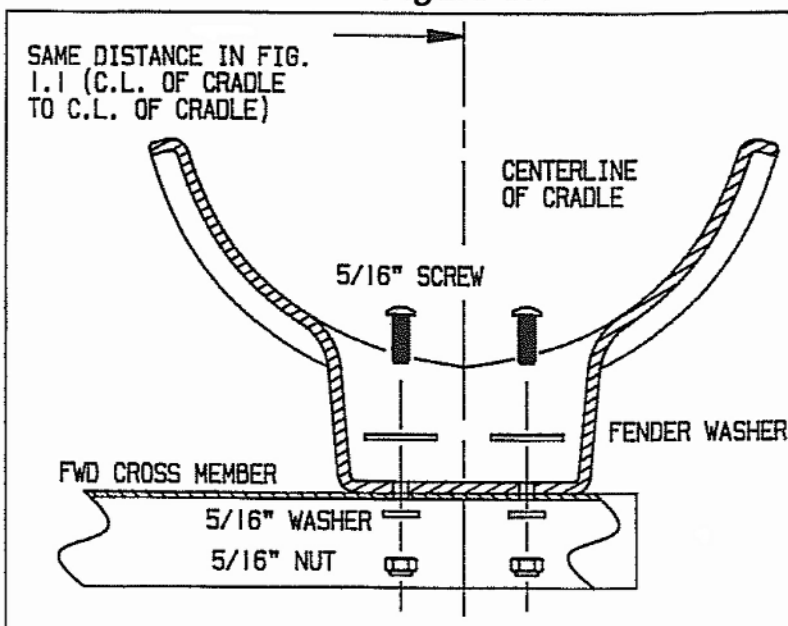


Figure 4.1

