

1. Measure the keel centerline distance from hull as shown in figure 1.1.
2. Place cradles on crates or other equal platforms so that the tires do not touch the ground and drill as shown in figure 1.2.
3. Install cradle as shown in figure 1.3.

Figure 1.1

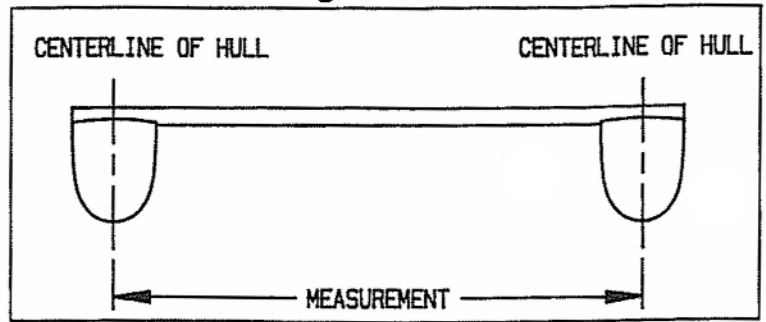


Figure 1.2

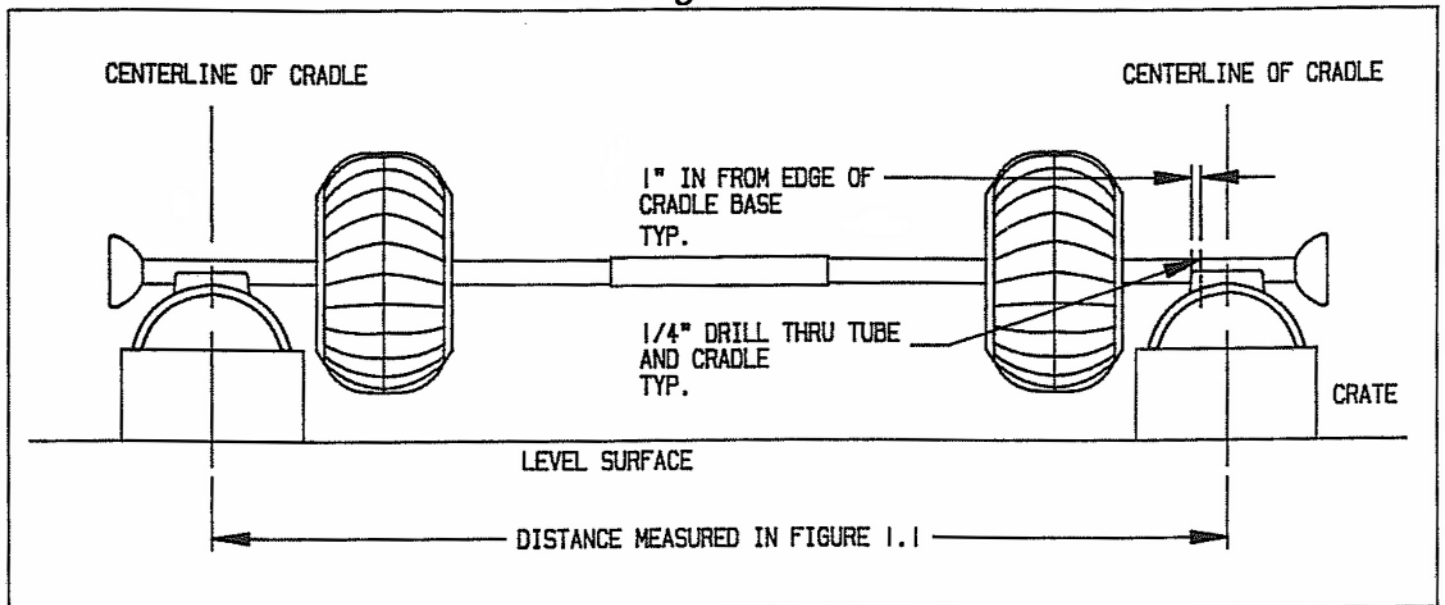


Figure 1.3

