



PETER A. CARRAS, PRESIDENT  
PHONE: 407/746-9479

## ASSEMBLY INSTRUCTIONS FOR CHEATA OUTBOARD MOTOR BRACKET

All of the Cheata Brackets come completely assembled so all that needs to be done is mounting the assembly to the rear crossbar.

### MOUNTING TO REAR OF HOBIE 14, 16 AND 21.

Before attaching the Cheata Bracket to the rear crossbar, be sure that the trampoline is level (always level the tramp from the rear, not the front). Take bracket and place curved flanges against the rear crossbar so that the bracket is exactly in the middle of the crossbar. For most catamarans, finding the middle of the crossbar will be easy, because the cleat ring for the rear traveler line attach between the castings halves.

With the tubular arm is in motoring position rotate flanges until the arm is level: which is also on the same plane as the rear trampoline.

Mark one hole from the left casting and one from the right and drill just those holes with a 3/16" drill bit. Place the rivet in the holes. Before using the pop-rivet gun, recheck to make sure your bracket is still level. You may need assistance while you are doing this procedure. When you are sure the arm, in it's motoring position, is level while the rear trampoline is level, proceed with drilling the rest of the holes and placing the pop-rivets in the remaining holes. It takes approximately three half bites with the pop-rivet gun to break off the nail-like end. Be very careful to keep some side resistance against the nail-like piece in the gun. Sometimes when you go to take another bite, the long nail-like piece will slip out of the gun and into the rear crossbar.

### MOUNTING TO THE REAR OF A HOBIE 18

Take the bracket and place flanges against the rear crossbar. The wishbone for the rear traveler rope will go on either side of the two casting halves. You may need assistance in order to hold bracket while you are marking the holes. The Hobie 18 bracket will easily follow the curvature of the underside of the crossbar. When you are sure there are no spaces and the flanges are flush, mark the holes from the rear for the 1/4" bold. When drilling, only drill through the underside of the crossbar. **DO NOT ATTEMPT TO DRILL THROUGH THE TOP SIDE OF THE CROSSBAR FROM UNDERNEATH.**

Take the small casting provided and place them on either side of the jam cleat block from the rear traveler. There is a mark approximately  $\frac{1}{2}$ " in on each of the small castings. Place the mark to the edge of the rear of the black spacer for the traveler jam cleat and mark your hole. Drill a  $\frac{1}{4}$ " hole through the top of the rear crossbar. Assemble bracket using  $\frac{1}{4}$ " bolts provided. Bolts will go through small casting, through rear crossbar and then through hole in casting. Tighten with the aviation nuts provided. **DO NOT OVERTIGHTEN  $\frac{1}{4}$ " BOLTS.** There are two other holes to the rear of the bracket. We have provided two  $\frac{3}{16}$ " pop-rivets for these holes, which we recommend. You may elect not to use the pop-rivets but to use sheet metal screws instead. By doing so, this will enable you to completely remove the bracket for racing, etc.

#### MOUNTING TO THE REAR OF A HOBIE 17

To assemble the Hobie 17 bracket, use the same procedure as assembly of the Hobie 14/16, except you bolt the bracket in the same manner as the Hobie 18.

#### SPECIAL NOTE TO ALL SMALLER CATAMARAN OWNERS

With some of the smaller catamarans, such as the Hobie 14, Prindle 15 and SuperCat 15, there may not be enough freeboard between the rear crossbar and the water line or the sailor may be excessively heavy for his particular vessel, thus causing the outboard to be too close to the waterline when following the above instructions. In these few cases, it may be necessary to mount the bracket slightly higher than level thus giving the power head of the outboard more clearance to the waterline. If you have any doubt, first put the boat in the water, sit on the trampoline and have someone measure the clearance from the bottom of the rear crossbar to the water. If the distance is less than 10" place the motor you plan to use on the end of the bracket and rotate bracket until you position the correct propeller depth you want, then mark your holes. You must then check that when the arm is in the sailing position, the top of the motor does not interfere with the mainsheets or boom. If it does, some metal must be shaved off the cam to allow the arm to be lowered slightly.

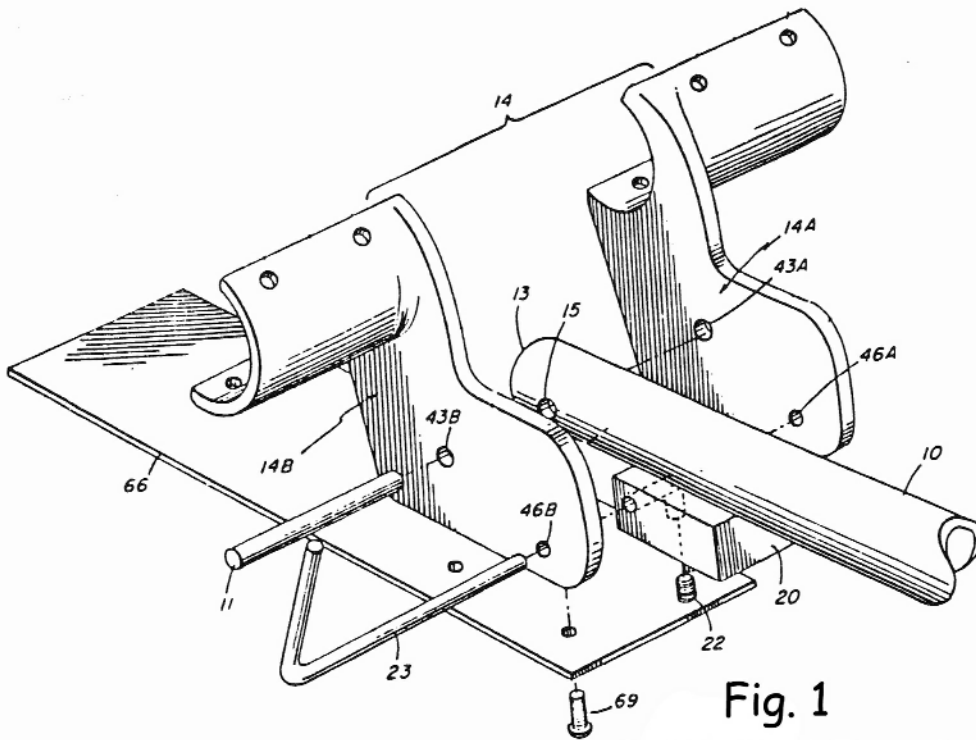


Fig. 1

Hobie 14, 16 Example

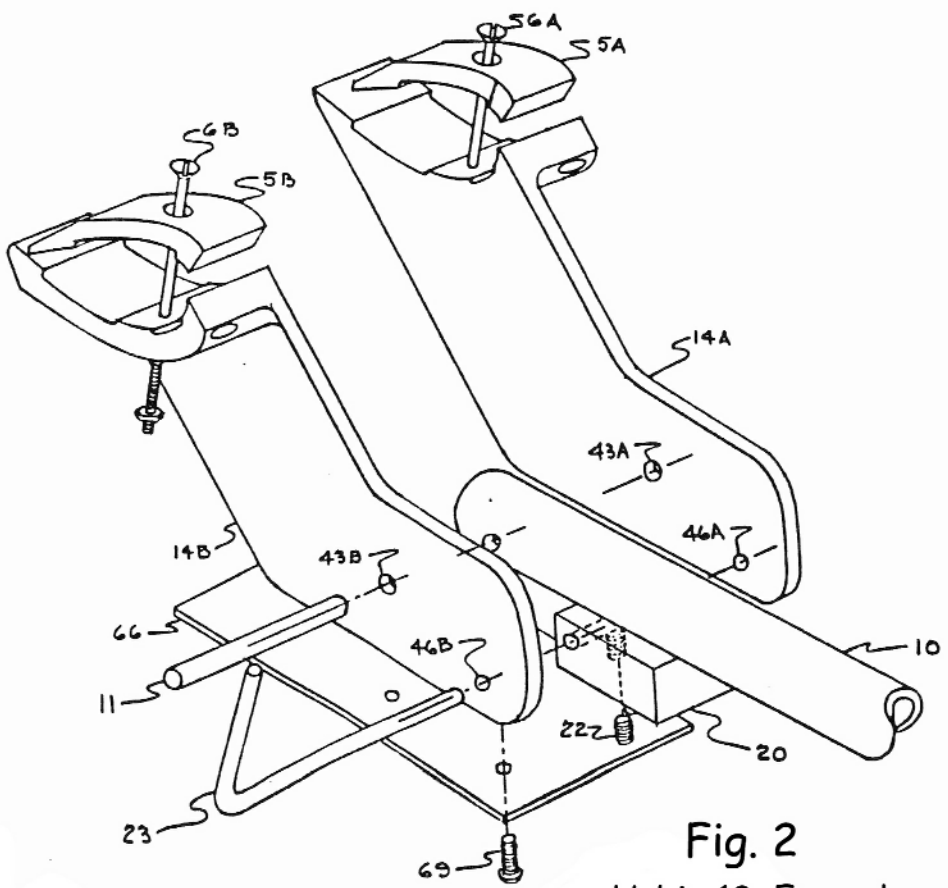
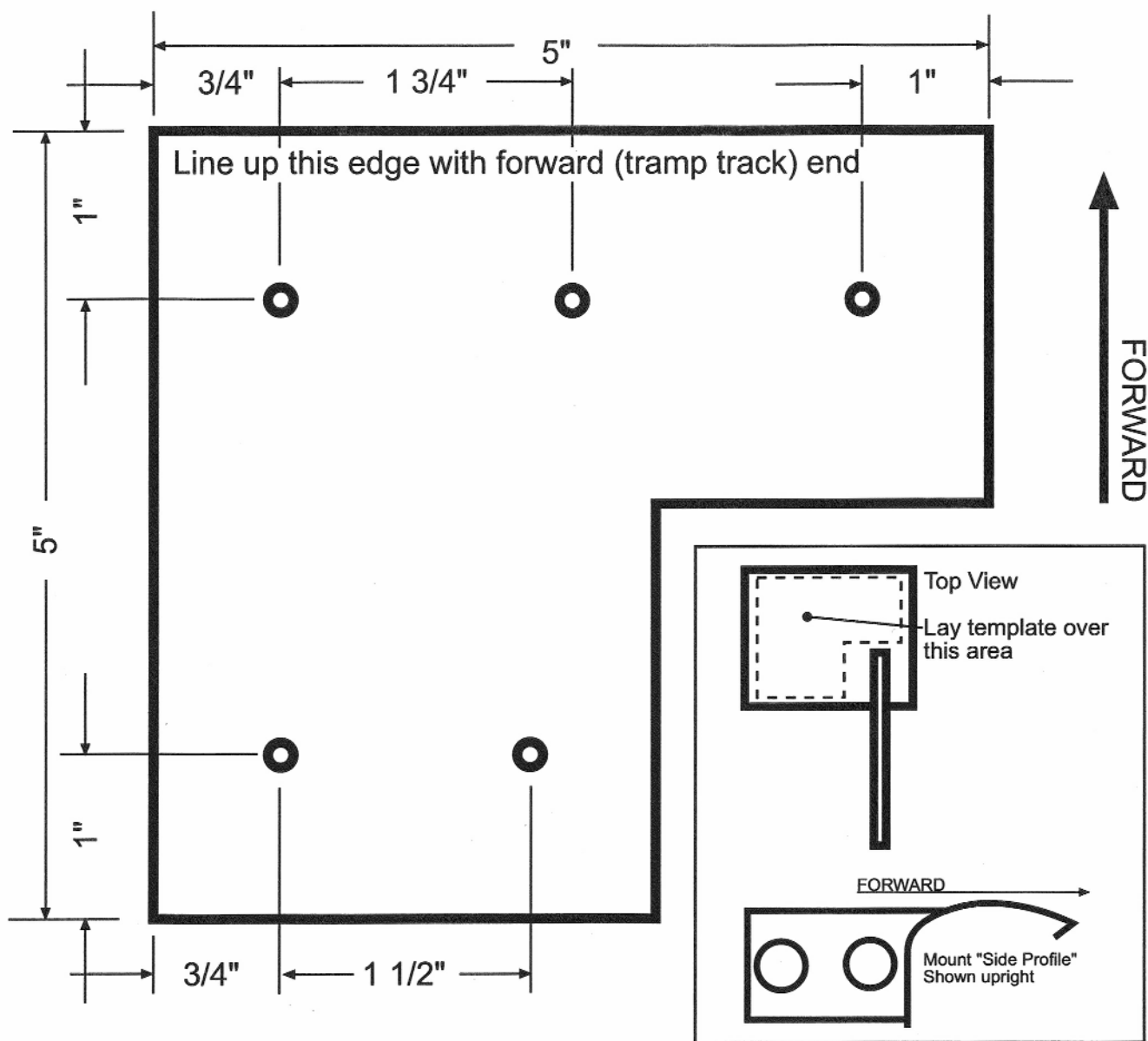


Fig. 2

Hobie 18 Example

# 3183 Motor Mount - Drilling Template



Print template to scale. Cut out of this sheet. Lay over motor mount with mount in upright position.

Line up (on top) against forward edge of the mount.

Mark and drill holes indicated. Drill holes (3/16") in mount.

Position on boats rear cross bar and drill (3/16") holes using mount as guide. Placing rivets in holes after drilled can maintain correct position of the mount while drilling additional holes.

Note: Exact location of these holes is not critical.

### CRUISER MOTOR MOUNT INSTRUCTIONS

1. CLAMP MOTOR MOUNT ON C.L. OF REAR CROSSBAR AS SHOWN BELOW.
2. USING HOLES IN MOTOR MOUNT CASTINGS AS A DRILL GUIDE, DRILL HOLES IN CROSSBAR WITH A #11 DRILL BIT AND SECURE IN PLACE WITH RIVETS SUPPLIED.

