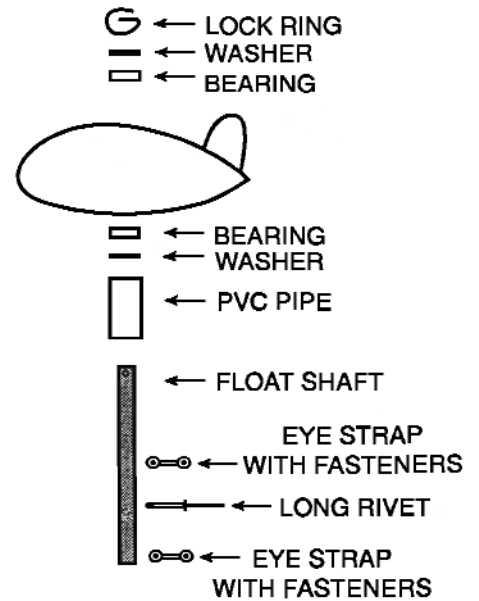
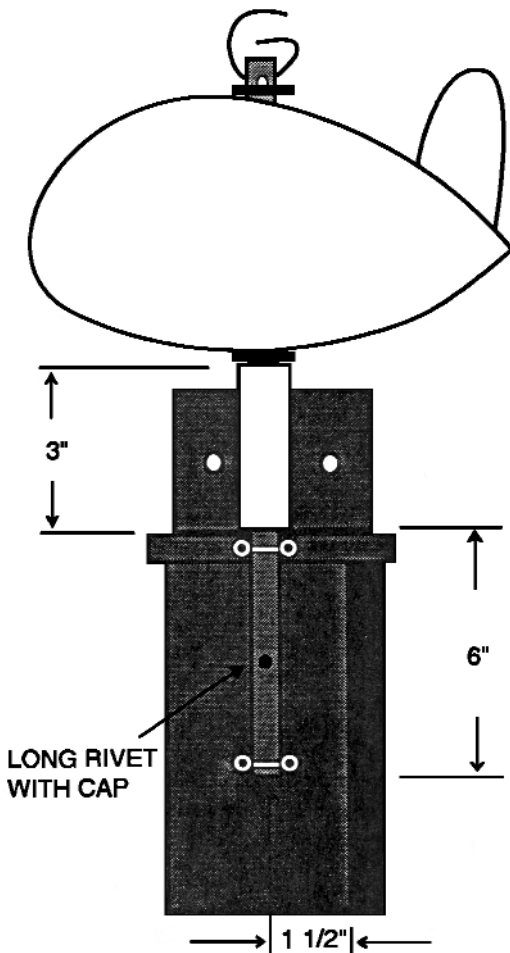


- 1) Assemble all parts onto shaft.
- 2) Place lower end of shaft against mast.
- 3) PVC pipe keeps the float above the masthead. For 17, 18, 20 & 21 installation... trim to 2".
- 4) Drills needed: 15/64" when using caps.
3/16" for rivets only.

NOTE: Bearing must be placed - open side towards center of float.



H-14 / H-16



Position as shown.

Be sure Float has complete 360 degree rotation.
 Drill mast and rivet single (long rivet with cap) to hold location.
 Bend eye straps to conform to your mast curve.
 Rivet lower strap (use shorter rivets and seal caps).
 Rivet upper strap (without seal caps) (use long rivets for 17, 18, 20 & 21), this is above seal.

H-17 / H-18 / H-20 / H-21

