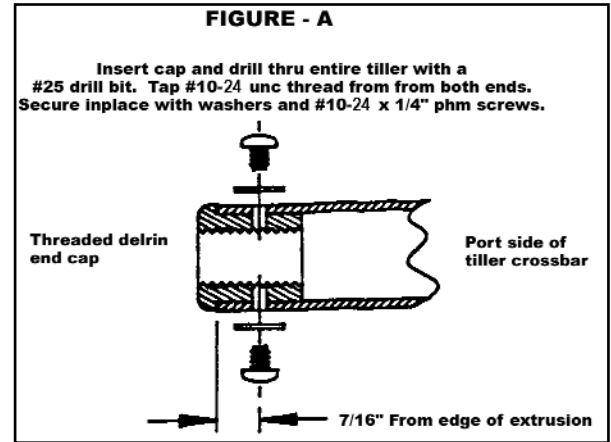


#1953 - TILLER CONNECTOR KIT.

1. Remove tiller arm and tiller crossbar end caps.
2. Install threaded end cap from the kit into the port side of the tiller crossbar as shown in figure A.
3. Install solid end cap - line up the tiller connector rod hole with the existing old bolt adjuster hole in your crossbar so they're on the same centerline. Drill the mount hole for the screw and nut perpendicular to the rod hole as shown in figure B.
4. Install shock cords as shown in figure C.
5. Install the swivel assembly's in the tiller arms as shown in figure D.
6. Screw adjustment arm into treaded delrin end cap on the port end of the tiller crossbar.
7. Attach the retainer clips to the shock cords and install the tiller crossbar to the tiller arms as shown in figure E.



Note - Attaching the adjustment arm end of the tiller crossbar to the starboard tiller arm can cause severe damage to the tiller swivels and tiller crossbar adjustment arm.

Note - Proper tension on shock cords prevents locking in turning position.

