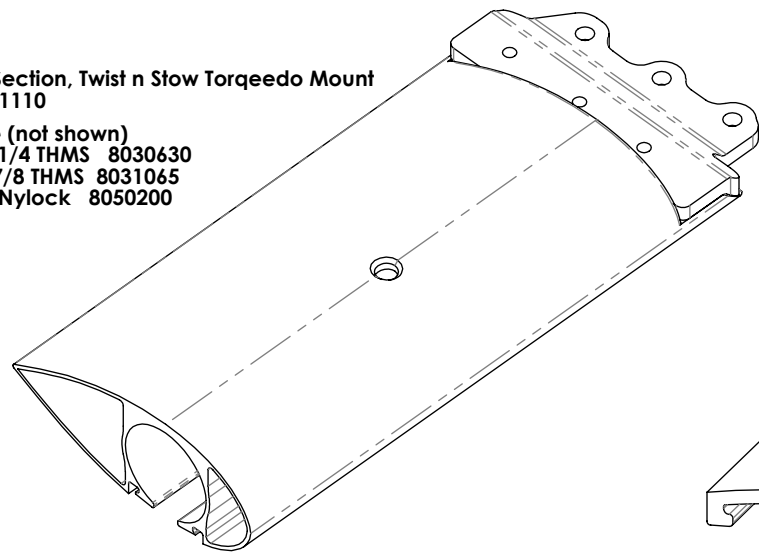
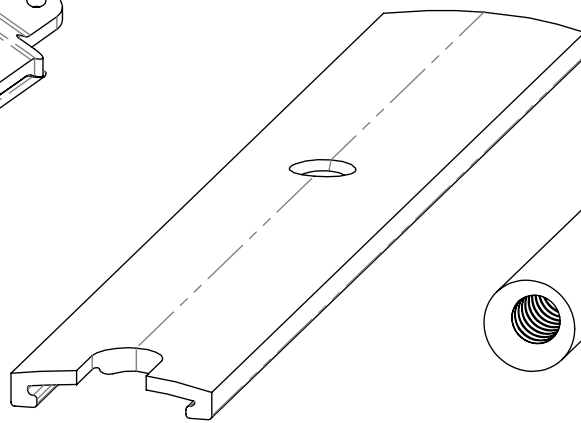


Foil Section, Twist n Stow Torqeedo Mount
72021110

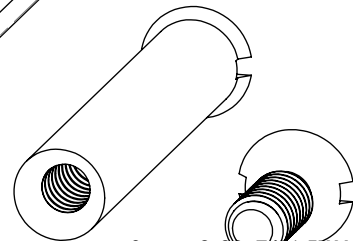
Attachment Hardware (not shown)
QTY 3: Screw 10-32 x 1/4 THMS 8030630
QTY 3: Screw 10-32x 7/8 THMS 8031065
QTY 3: Nut 10-32 Hex Nylock 8050200



Trac, Foil Section, Twist n Stow Torqeedo Mount
72021111

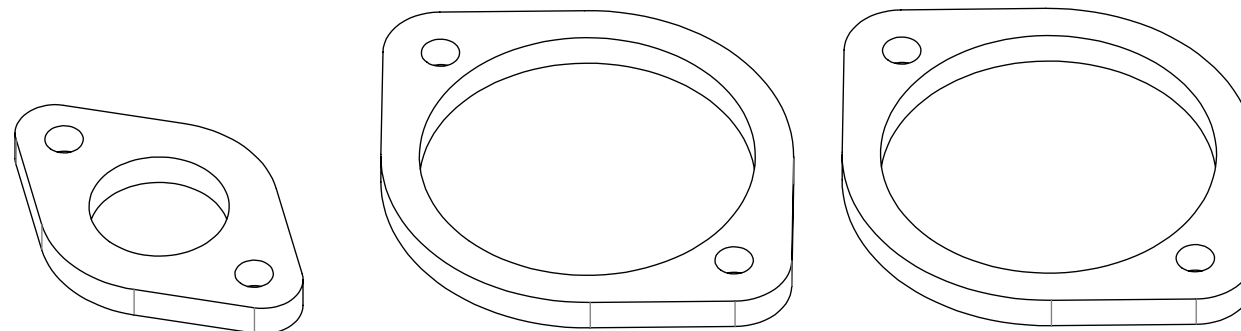


Sister Screw, 10-32x1.38
72021112

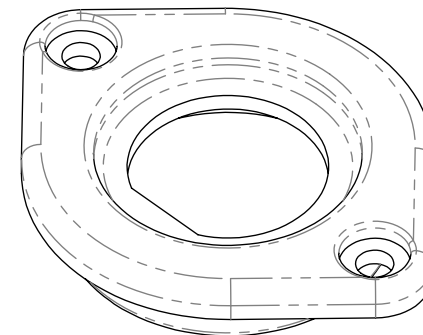


Screw 8-32x7/16 FHMS SS
8031240

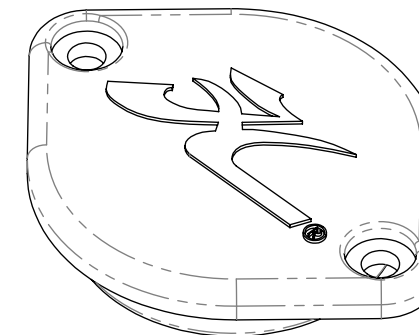
Gasket Pack, Cable Mounts
72021119



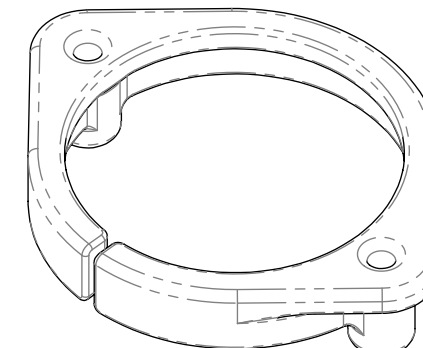
Thru Hull Fitting, PWR Plug
72021113



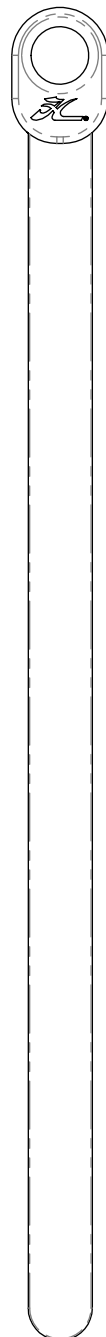
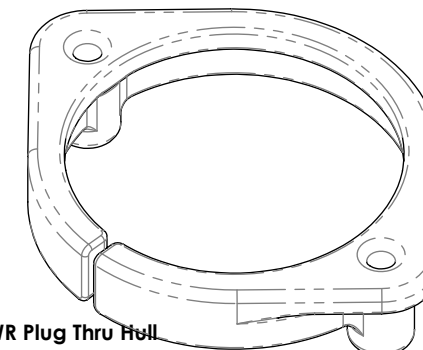
Cap, PWR Plug Hole
72021117



Screw #10x3/4 PHSMS
8031130
QTY 6 included in the kit



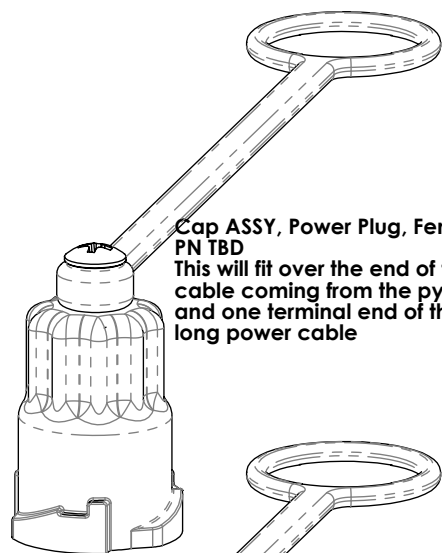
Backing Ring, PWR Plug Thru Hull
72021114



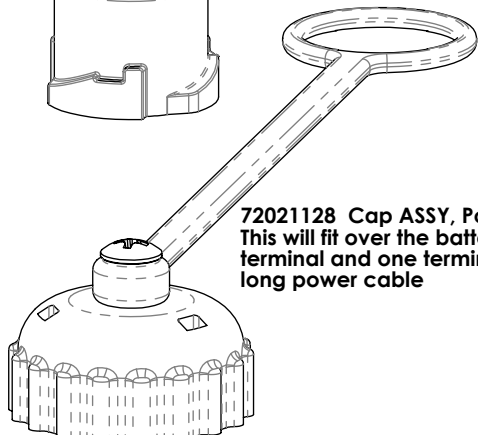
Handle, Prop Slider
72021118

Slider, Prop Alignment
72021125

Slider Assy
PN TBD



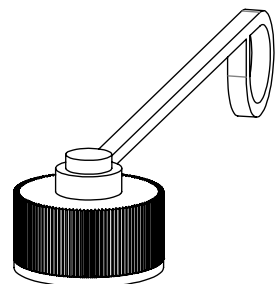
Cap ASSY, Power Plug, Female
PN TBD
This will fit over the end of the cable coming from the pylon and one terminal end of the long power cable



72021128 Cap ASSY, Power Plug, Male
This will fit over the battery power terminal and one terminal end of the long power cable

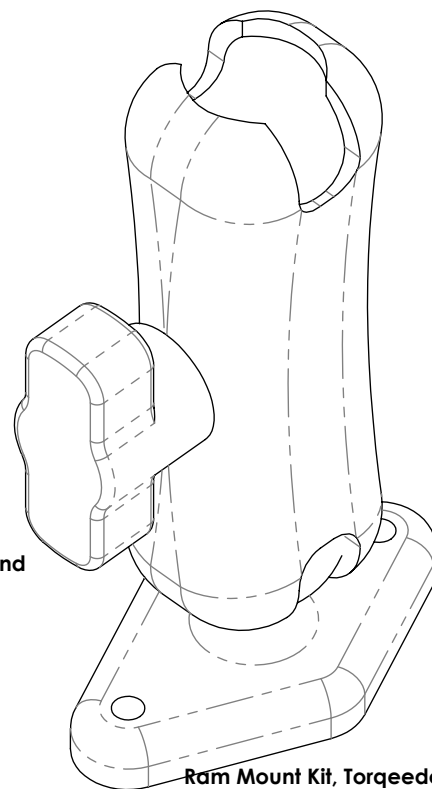
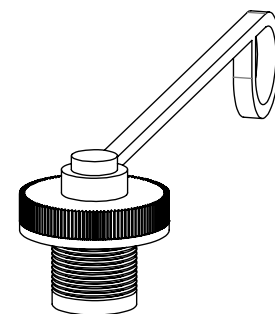
Cap, M12 Male
72021124

This will fit over both the terminal at the end of the long throttle cable and the short cable coming from the throttle box



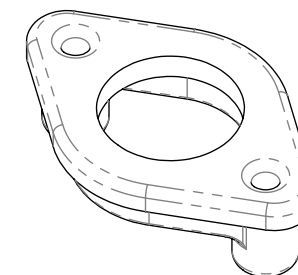
Cap, M12 Female
72021123

This will fit over the battery terminal and one end of the long throttle cable



Ram Mount Kit, Torqeedo Throttle
72023020

The screws that attaches the ball to the Throttle are metric
Screw M4 x .7 MM Pitch X16M 8031380 (two are needed)



Backing Ring, Throttle Cable Mounting Plate
72021116